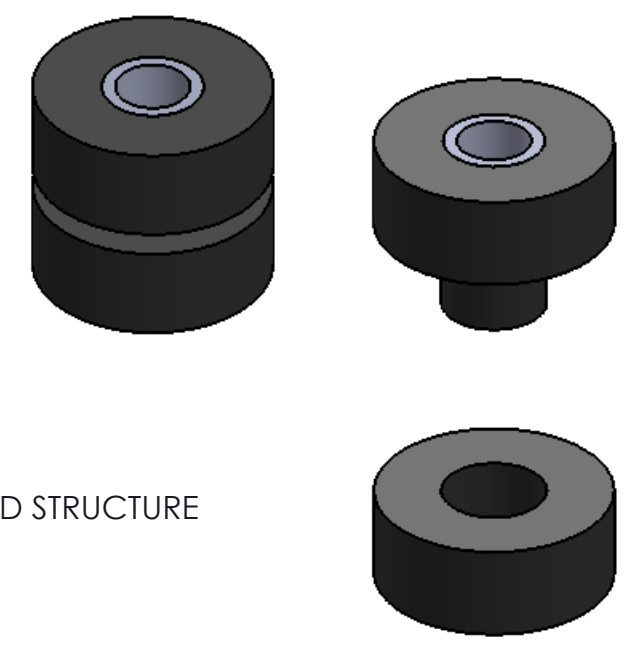
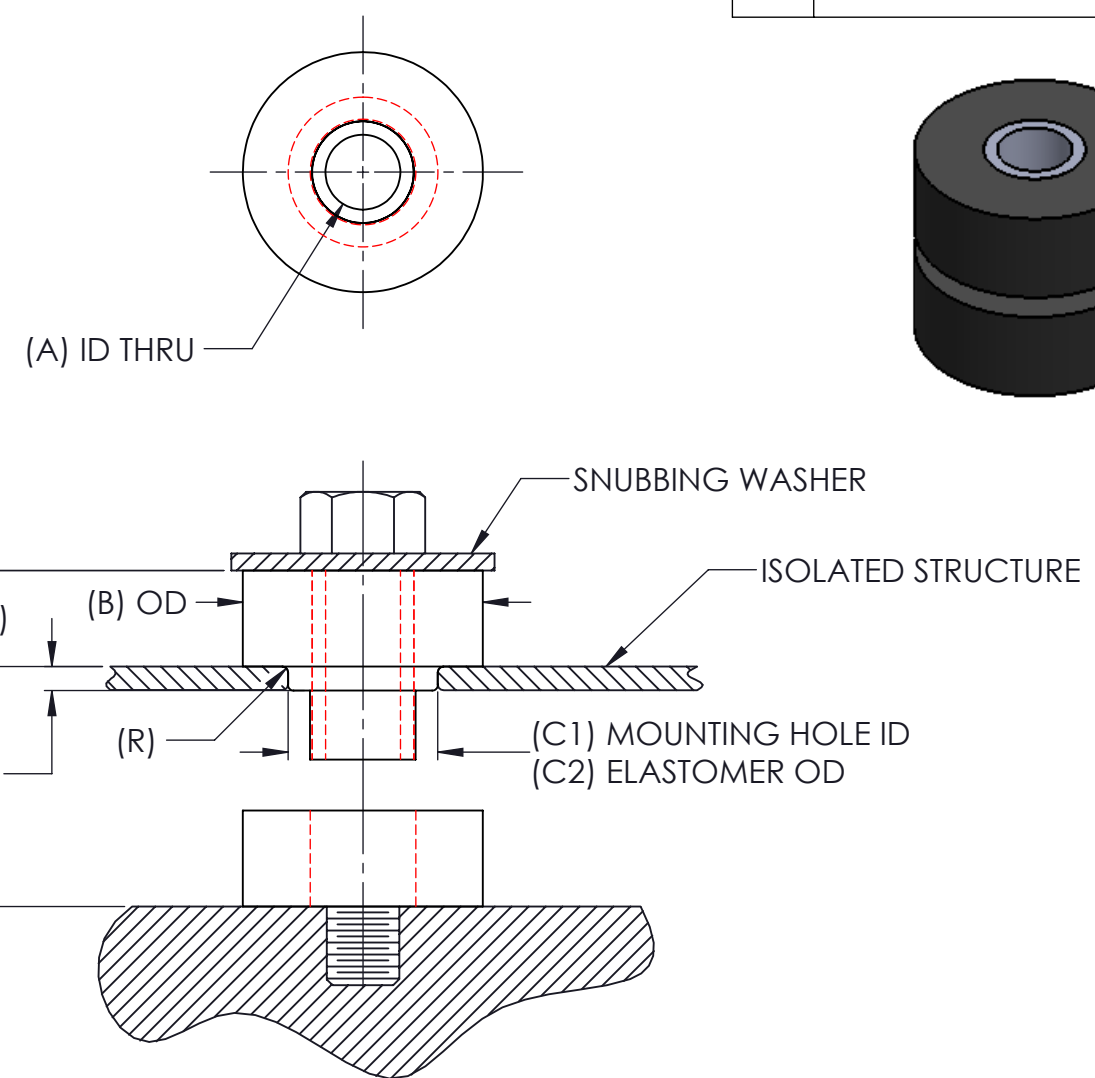
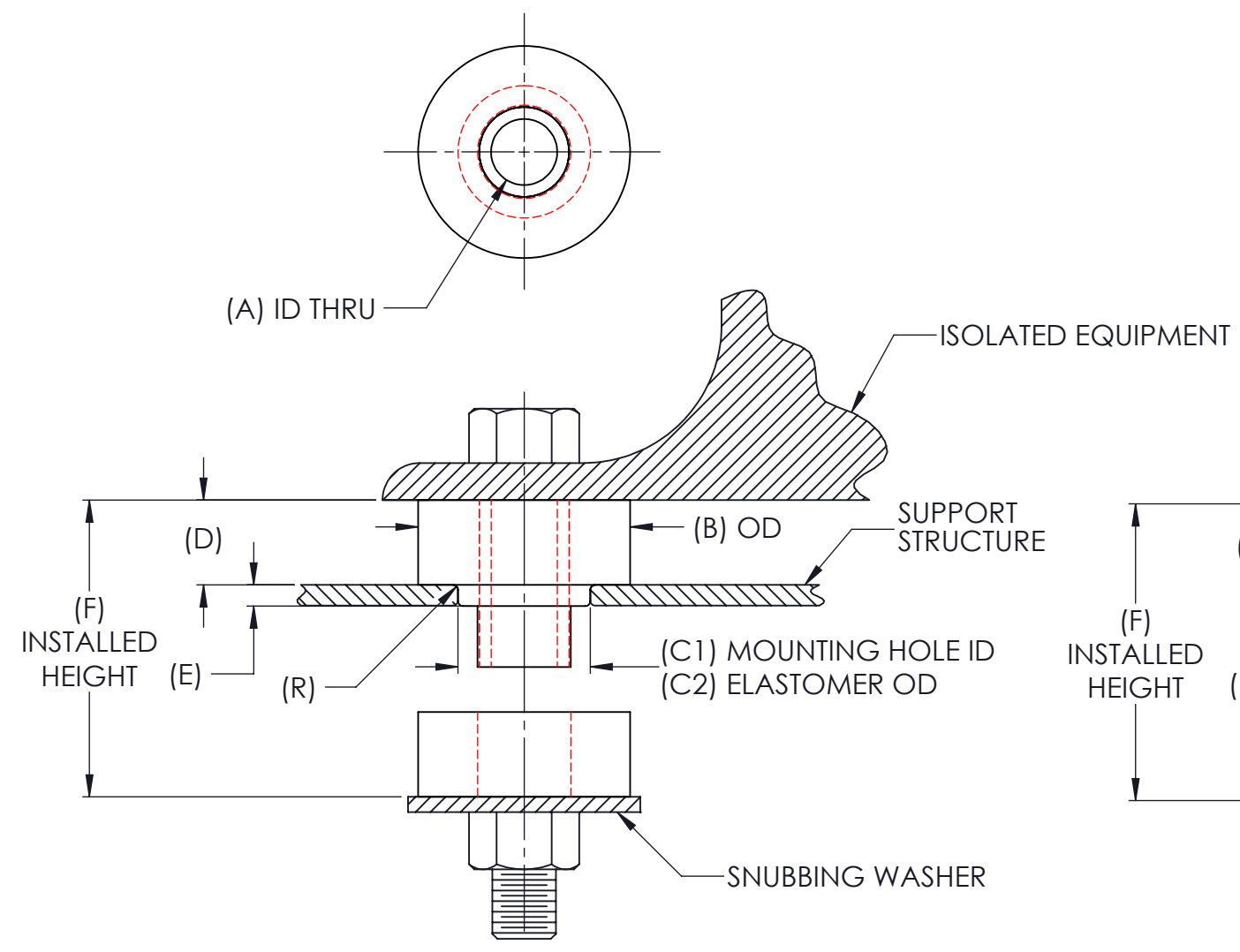


REVISIONS			
REV.	DESCRIPTION	DATE	APPROVED
1	INITIAL RELEASE OF DRAWING	8/19/2014	BS
2	REVISE ITEM 4 TO SHOW SHOULDER HEIGHT AS .75. WAS .78. ADD $\phi 2.55$ OD.	9/4/2014	BS
3	MOVE PART DETAILS TO SEPARATE DRAWINGS.	9/29/2014	BS

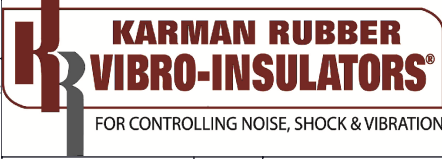


PART NO.	A	B	C1	C2	D	E	F	R	PART WEIGHT
K190-1	0.39	1.25	0.74	0.78	0.50	0.125	0.98	0.03	1.20 OZ.
K190-2	0.39	1.31	0.75	0.79	0.485	0.375	1.25	0.04	1.40 OZ.
K190-3	0.531	1.88	1.25	1.30	0.78	0.500/0.563	1.94	0.06	5.30 OZ.
K190-4	0.657	2.55	1.50	1.58	0.90	0.750/0.875	2.45	0.09	10.50 OZ.
K190-5	0.938	3.50	2.25	2.30	1.00	1.000/1.125	2.90	0.12	1 LB. 7.4 OZ.
K190-6	1.06	4.88	2.50	2.55	1.25	1.000/1.250	3.40	0.12	2 LBS. 14 OZ.

PROPRIETARY AND CONFIDENTIAL
THE INFORMATION CONTAINED IN THIS DRAWING IS THE SOLE PROPERTY OF KARMAN RUBBER. ANY REPRODUCTION IN PART OR AS A WHOLE WITHOUT THE WRITTEN PERMISSION OF KARMAN RUBBER IS PROHIBITED.

	SIGNATURE	DATE
DRAWN	B. SENEAL	08/19/2014
CHECK	S. BROWN	08/19/2014
ENGR	B. SENEAL	08/19/2014
QA		
STRESS		
APPR		

UNLESS OTHERWISE SPECIFIED:
DIMENSIONS ARE IN INCHES
TOLERANCES:
.X = ± 0.031
.XXX = $\pm 1^\circ$
INTERPRET GEOMETRIC TOLERANCING PER: ASME Y14.5M-1994



TITLE: K190 SERIES MULTI-PURPOSE MOUNTS
WWW.KARMAN.COM

SIZE	CAGE CODE	DWG. NO.	REV
B		K190	3
DO NOT SCALE DRAWING		SCALE: 1:1	WEIGHT: N/A
			SHEET 1 OF 1